



Power Units

Series 550

*Catalogue HY17-1303/UK
March, 2003*

Introduction

Parker Hannifin now introduces the new series 550 AC (alternating current) hydraulic power units. Series 550 combines the features and benefits our customers and markets have requested in a durable and economical package.

The integral motor, pump and reservoir are complemented with a full line of Parker NG6 and cartridge valve options. When a linear or rotary actuator is added, a complete hydraulic system solution for your application is obtained.

These high quality power units are ideal for industrial machine tool clamping circuits, dock levelers, food processing, hose crimping, scissor lift, presses and a myriad of AC applications.

Contact your local Parker sales representative for further information.



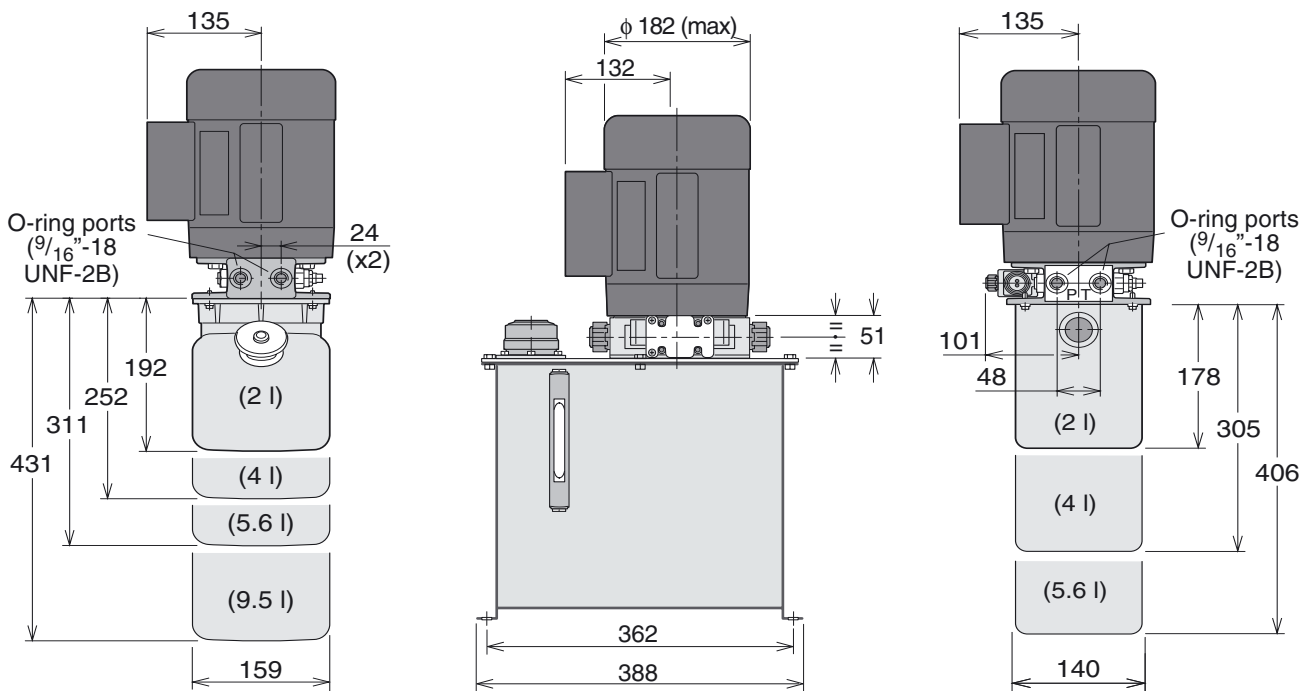
Features

- Numerous motors to 1.5 kW
- 6 pump sizes – flows from 1 to 11.4 l/min
- Externally adjustable relief valve
- Variety of reservoirs
- Operating pressure to 210 bar
- NG6 pad or standard P and T ports

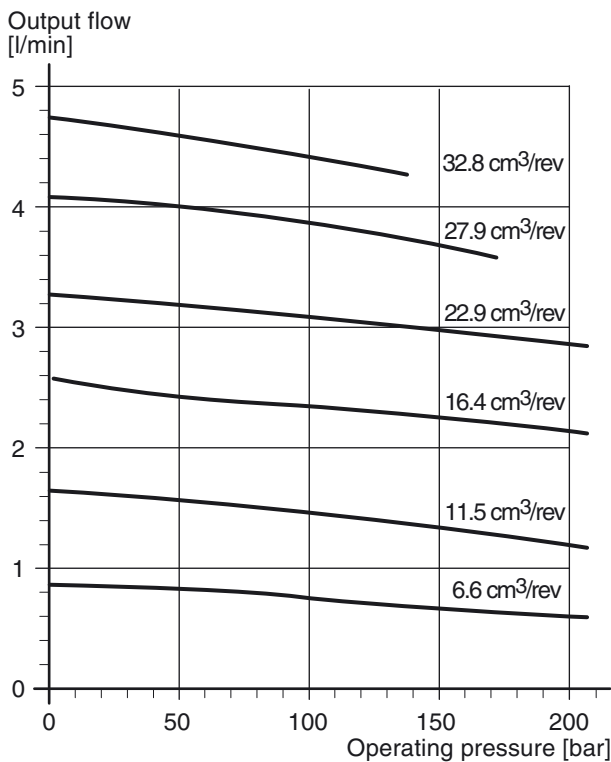
Typical Applications

- Machine tool clamping
- Dock levelers
- Man lifts
- Scissors lifts
- Wheelchair lifts
- Trash compactors
- Hose crimpers
- Boat lifts
- Presses
- Commercial ovens

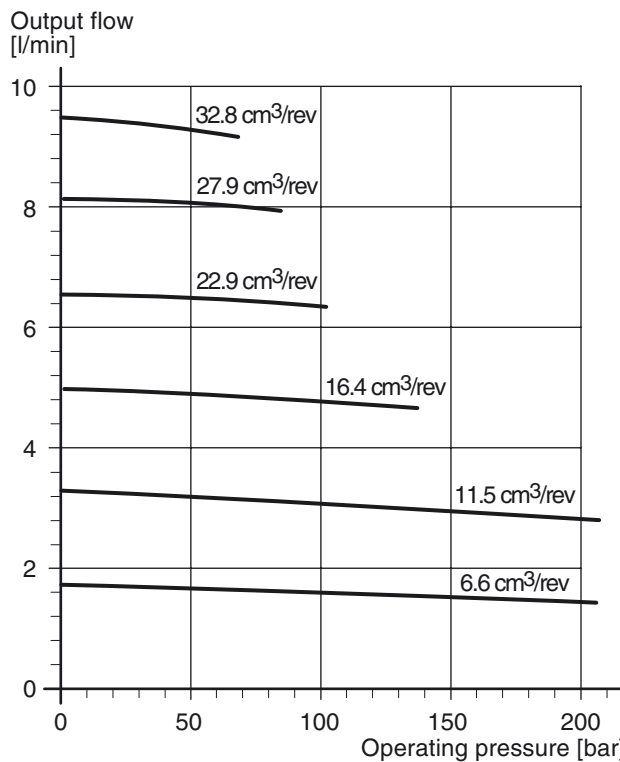




550 Series shown with plastic 20 l and cylindrical steel reservoirs.



Typical performance for series 550 power units at 1450 rpm.



Typical performance for series 550 power units at 2900 rpm.

Information in this data sheet is subject to change without notice.



Parker Hannifin
Mobile Controls Division
SE-461 82 Trollhättan
Sweden
Tel +46 520 40 45 00
Fax +46 520 371 05
www.parker.com

Catalogue HY17-1303/UK
3M 03/03 RT

© Copyright 2003
Parker Hannifin Corporation
All rights reserved.